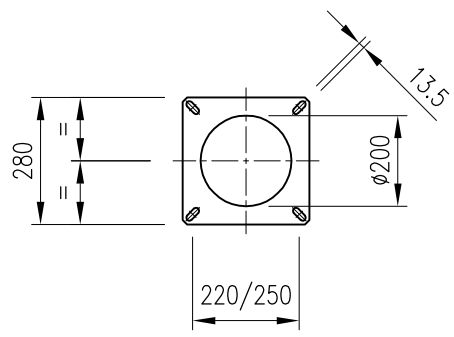


Floor Fixing Dimension



FEATUERS		KEY PLAN		
1	TIP-UP SEAT FOR INSPECTION OF CENTRAL BODY	8	HEADREST	
2	UNLOCKING ROTATION PEDAL	9	ADJUSTABLE ARMREST	
3	BRIEDA SEAT type SB3	10	DRIVE OF TILTING DEVICE	
4	SUSPENSION AND WEIGHT COMPENSATION			R. H. L. H.
5	ADJUSTABLE LUMBAR SUPPORT	11	BOX DIMENSION	250 mm
6	BRACKREST ADJUSTAMENT	11	BOX DIMENSION	300 mm
7	FORE AND AFT ADJUSTAMENT	11	BOX DIMENSION	330 mm
		11	BOX DIMENSION	

**Brieda Cabins**  
di Rino Brieda e figlio Srl



Via del Laghetto, 21 - 33080 Porcia-PN-Italy  
Tel. +39 0434.921071 Fax +39 0434.922758  
Website: [www.briedacabins.com](http://www.briedacabins.com)  
e-mail: [brieda@briedacabins.com](mailto:brieda@briedacabins.com)

Scala / Scale		Dis / Drw	<b>PMB10-SB3</b>	Foglio / Sheet	<b>1/1</b>	Rev.	N. COMMESSA / JOB
Disegnato / Drawn by	Data / Date	File:	<b>PMB10-SB3.dwg</b>				
Disegnato / Drawn by	Data / Date	<b>BRIEDA Control Station Type PMB10 - Seat SB3</b>					
Controllato / Checked by	Data / Date						
Approvato / Approved by	Data / Date						

Il presente disegno e le informazioni in esso contenute sono proprieta' esclusiva di Brieda Cabins Srl. Il disegno non puo' essere riprodotto, reso pubblico o utilizzato in alcun modo senza l'autorizzazione scritta.  
This drawing and the information contained on it are exclusive property of Brieda Cabins Srl. This drawing is not to be reproduced, further distributed or used for any purpose without written permission.