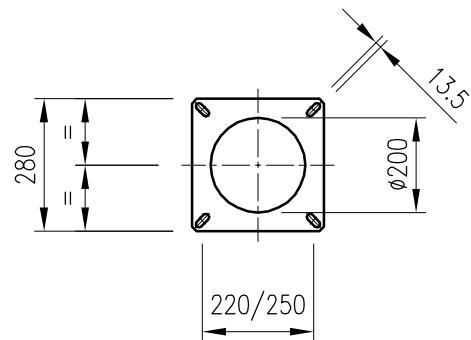


Floor Fixing Dimension



FEAUTERS

KEY PLAN

| | | | | | |
|---|------------------------------------|----|-------------------------|--------|-------|
| 1 | ADJUSTABLE SEAT BELTS | 8 | DRIVE OF TILTING DEVICE | | |
| 2 | SUSPENSION AND WEIGHT COMPENSATION | 9 | SLIDING BOXES +/- 100mm | | |
| 3 | ADJUSTABLE LUMBAR SUPPORT | 10 | BRIEDA SEAT type SB2 | R. H. | L. H. |
| 4 | BACKREST ADJUSTMENT | 12 | BOX DIMENSION | 250 mm | |
| 5 | FORE AND AFT ADJUSTMENT | 12 | BOX DIMENSION | 300 mm | |
| 6 | HEADREST | 12 | BOX DIMENSION | 330 mm | |
| 7 | ADJUSTABLE ARMREST | 12 | BOX DIMENSION | | |



Officina Meccanica
R.Brieda e figlio snc

Via Talponedo, 39
33080 Porcia/Pn/Italy
Tel. 0434 921071

| | | | | |
|-------------------|---------|------------|-----------|---------------|
| Data: | 15/7/98 | Disegno n. | PMB11-SB2 | Codice Cabina |
| Codice Variazioni | | Scala | | Cliente |

**BRIEDA Control Station Type PMB11
with BRIEDA SEAT SB2**